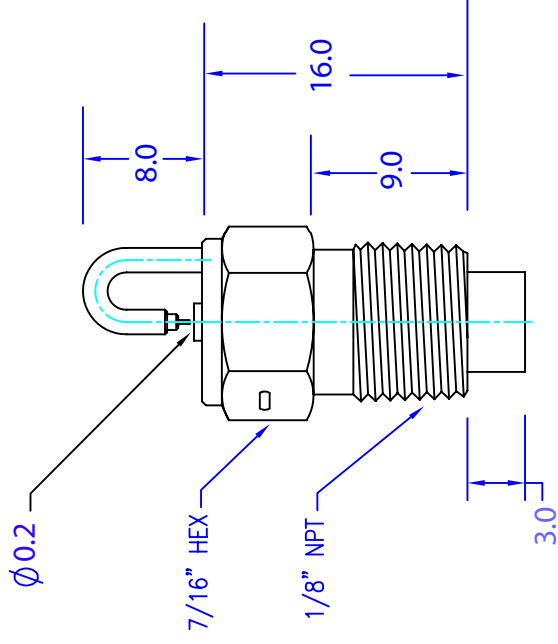


FILTER
SIZE X 4

FILTER, 5-micron
Polypropylene or KYNAR®
Designed for finger-tip removal.



NOZZLE W/FILTER
SCALE: SIZE X 4

Nozzle Capacity Chart based on Water

Series	Flow Rate in GPM at PSI			Flow Rate in LPM at BAR										
	Orifice (inch)	400	800	1000	1200	1500	2000	Orifice (mm)	40	60	70	80	100	140
8	.008	.029	.041	.046	.050	.056	.065	.20	.127	.161	.174	.188	.210	.248

UNLESS OTHERWISE SPECIFIED:
DIMENSIONS ARE IN INCHES
TOLERANCES ANGULAR
FRACTIONS DECIMALS
± 1/16 ± .005 ± .01
± .005 ± .01
INTERPRET PER ASME Y14.5M
DO NOT SCALE DRAWING IF NOT SPECIFIED

WILSON SPRAY NOZZLE PTE LTD
Blk 51 #05-10/11 Ayer Rajah Crescent, Ayer Rajah Industrial Estate,
Singapore 139948.

MATERIAL		FINISH	
ASSY		125 ✓	
www.wilsonspraynozzle.sg E-mail : sales@wilsonspraynozzle.sg Tel : 67741828 Fax : 67779813			

TITLE			
RUBY INSERT FOG NOZZLES			
SIZE	DRAWN	DATE	REV.
B	VN	19/06/12	109273
CHECKED	GT	DATE	FOR
		19/06/12	0
SCALE	FILE NAME:	JOB NO.	SHEET
1:2			1 OF 1

All dimensions in mm.